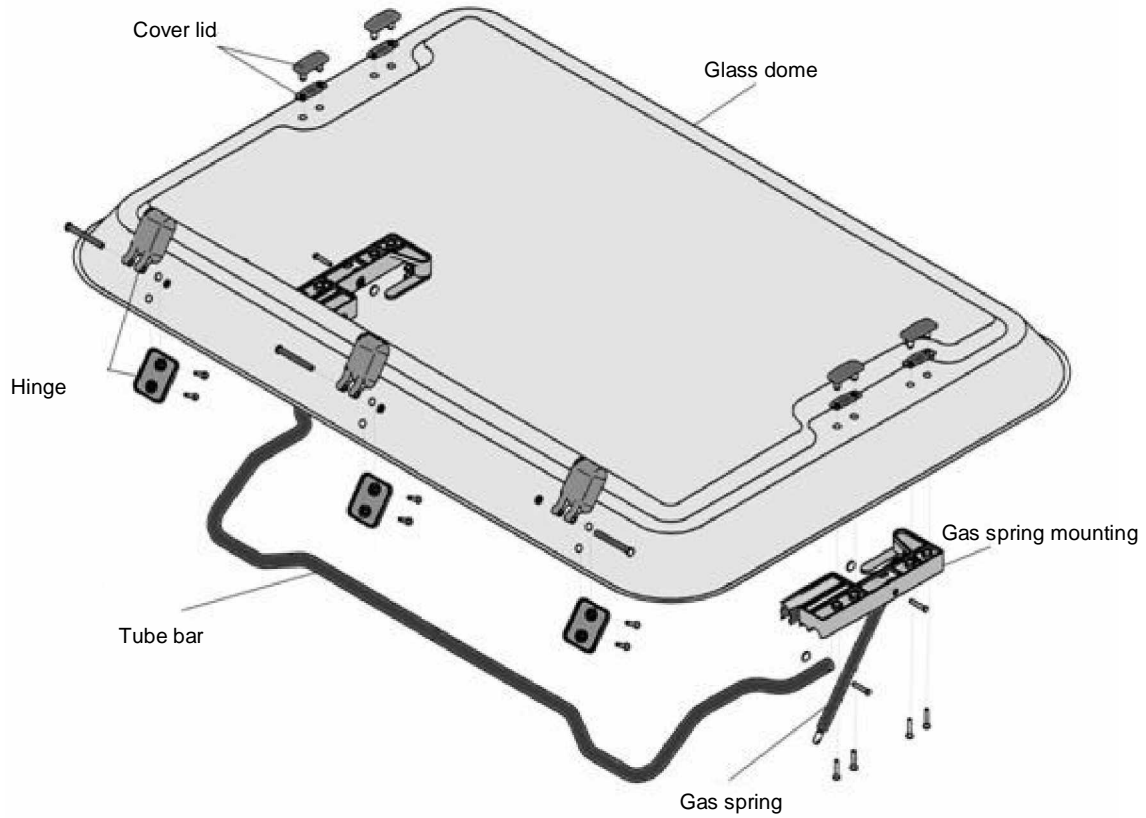


## Heki 2



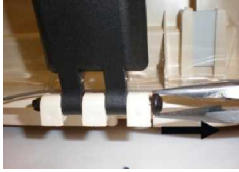
## Glass dome



PROBLEM:

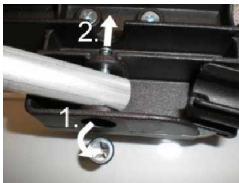
Replacing the glass dome  
Replacing the tube bar  
Replacing the gas spring  
Replacing the gas spring mounting

### Replacing the glass dome



Open the glass dome all the way. Remove the gas spring as described under Replacing the gas spring. Thereafter, the hinge pins must be removed with a long-nose pliers. Place the glass dome carefully down on a padded surface and remove the gas spring mounting blocks. The new glass dome is installed in the reverse order of sequence.

### Replacing the tube bar

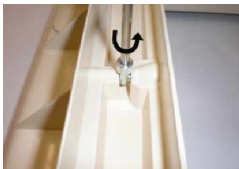


Remove the axis clamping caps on the gas spring mounting. Push the colored cylinder pin from the inside outward with a punch. The tube bar is installed in the reverse order of sequence.

### Replacing the gas spring



Remove the axis clamping caps on the gas spring mounting. Push the colored cylinder pin from the inside outward with a punch.



Attention!: The piston rod has right hand threading that engages with the joint lug. The gas spring (piston rod) can be removed by turning it.

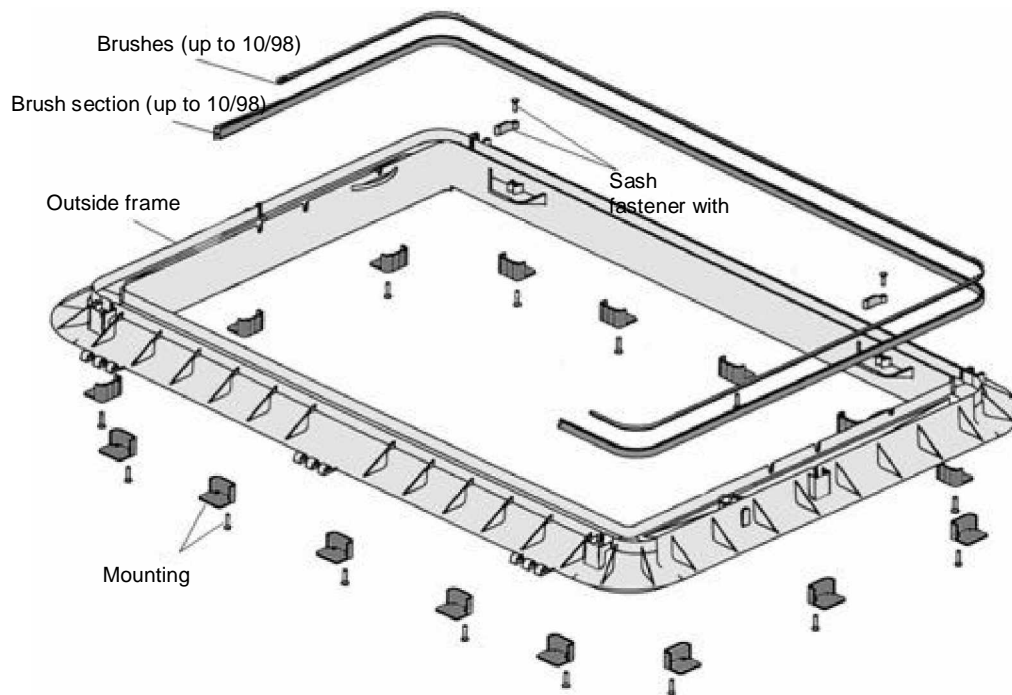
Installation takes place in the reverse order of sequence.

### Replacing the gas spring mounting



Remove the gas spring and described under Replacing the gas spring and Replacing the tube bar. Loosen the Philips screws to remove the gas spring block and remove the silicon seam from the side. Install the new part in the reverse order of sequence.

## Outside frame



PROBLEM:

Replacing the outside frame

## Replacing the outside frame



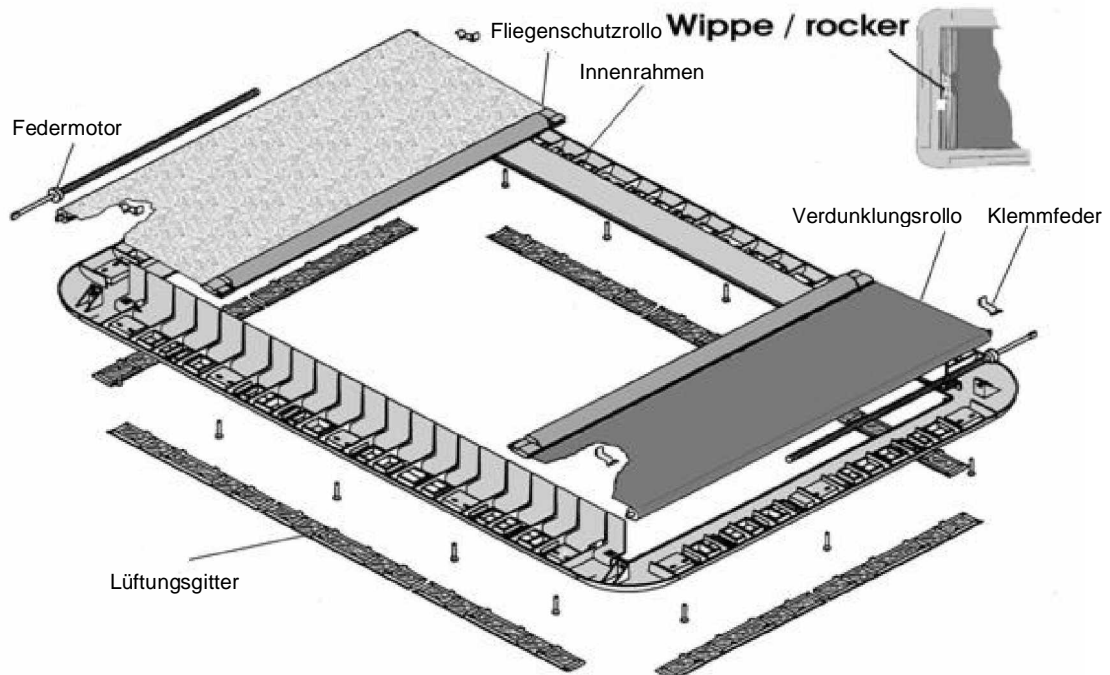
Remove the inside frame as described under Replacing the inside frame.

Remove the inside frame and loosen the Phillips screws on the mountings.

Attention!: The risk of rupturing the roof sheeting exists when the main frame is removed.

Begin by trying to lift the complete outer frame on one of the corners upward. Remove any sealing residue from the surface of the roof and clean with a grease free agent. Apply a suitable sealing agent (e.g. butyl) onto the sealing surface of the outer frame before installing the main frame. Install the outside frame in the reverse order of sequence.

## Interior frame



### PROBLEM :

Replacing the inner frame  
Replacing the spring motor  
Replacing the roller blind  
Replacing the insect guard roller

## Replacement of the inner frame

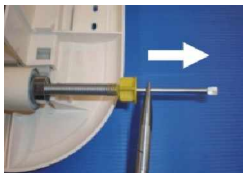


Dismantle the ventilating grille (do not bend it back too strongly).



Loosen the screws which are located underneath it. The inner frame must be detached by two persons and the cable connections loosened between the inner and outer frames. The assembly is done in reverse order.

## Replacement of the spring motor



Dismantle the roller blind as described in 'Replacement of the blackout roller blind' and 'Replacement of the gauze shade'. Pull back the spring motor from the roller blind's shaft. Mount the spring motor in reverse order after it has been checked or replaced, subject to considering the tensioning rule.

Tensioning rule: Tube length in mm/100 +3= revolutions of the spring motor

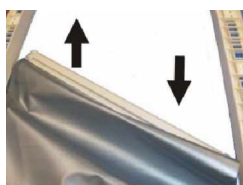
Example: Tube length=1000mm  $1000\text{mm}/100+3= 13 \Rightarrow 13$  clockwise revolutions

## Replacement of the blackout roller blind



Take off the inner frame in the same way as described in 'Replacement of the inner frame'. Release the spring motor from the holding bracket with the aid of pointed pliers.

Caution! There is a risk of injury because the spring is under tension!



The roller blind can be removed afterwards by tilting the closing rod out of the inner frame. Care must be taken not to damage the surface coating on the roller blind's fabric when the closing rod is being tilted. The installation is done in reverse order, subject to considering the tensioning rule.

Tensioning rule: Tube length in mm/100 +3= revolutions of the spring motor

Example: Tube length=1000mm  $1000\text{mm}/100+3= 13 \Rightarrow 13$  clockwise revolutions

## Replacement of the gauze screen

The gauze screen is replaced in the same way as described in 'Replacement of the blackout system'.