

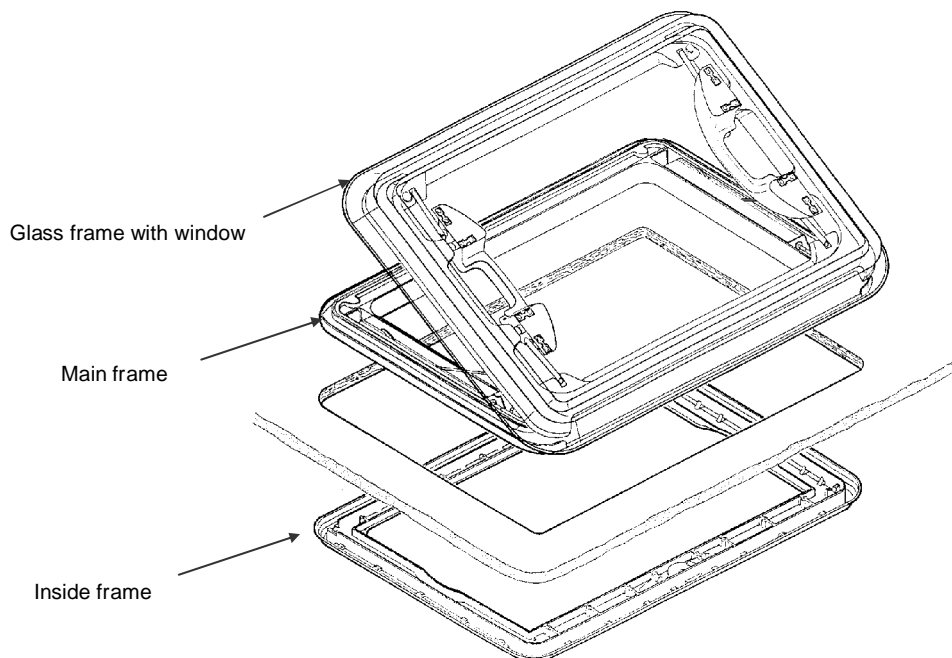
Heki 1



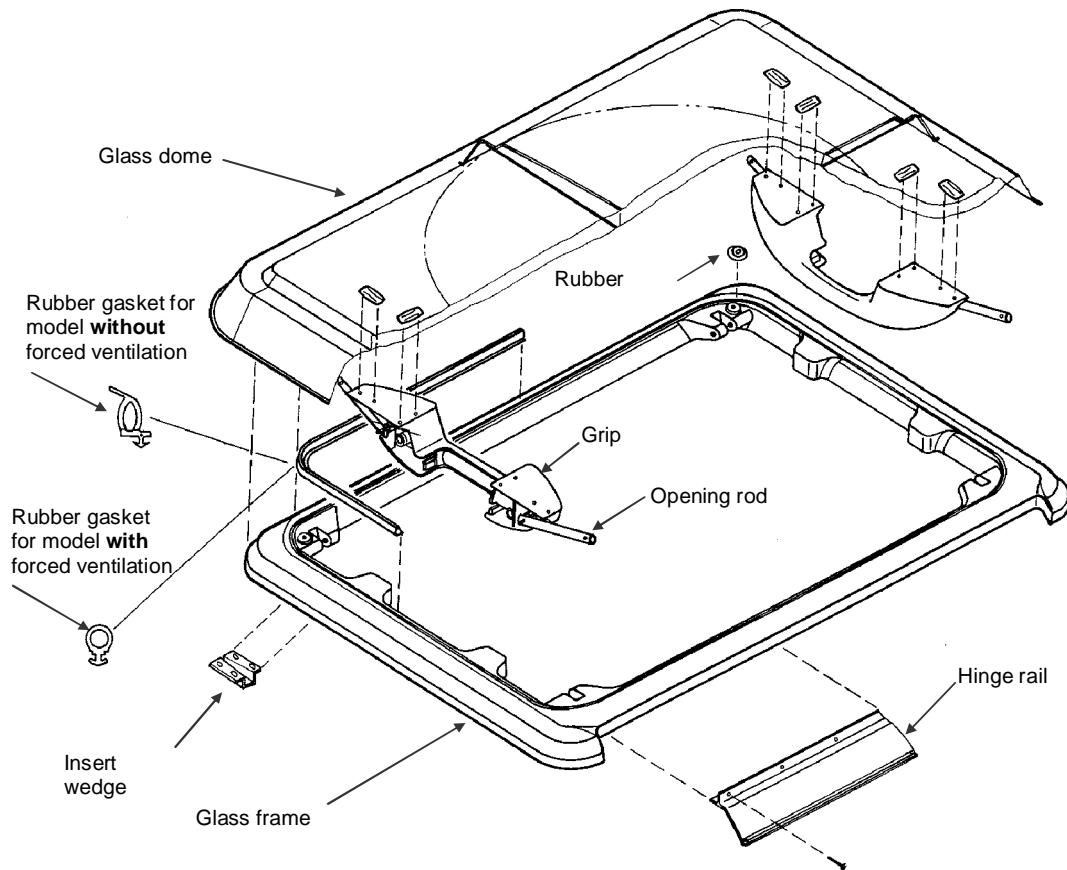
Outside view



Inside view



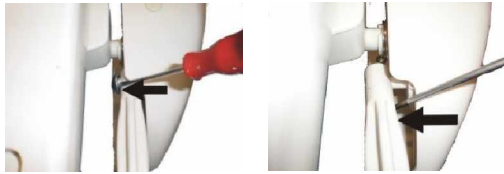
Glass frame with glass dome



PROBLEM:

Replacing the glass dome
Replacing the glass frame
Replacing the gasket ring

Replacing the glass dome



Use a screw drive to release the axis clamping cap on the handles. Thereafter, open the glass dome with the handles. Use a lever type tool (screw driver etc.) to carefully take the opening rod out of the end of the handle.

Attention!: In order to avoid damaging the mounting of the glass frame, caution must be exercised when levering out the opening rod from the handle.

The same applies when working on the other side.

Attention!: We strongly advise against loosening the screw connections of the handle when replacing the glass dome since this may cause leakage.

Assemble the glass dome in the reverse order of sequence.

Attention!: Please keep in mind when replacing the glass dome that the screw connections of the handle are off-center. Making a mark (glass dome - main frame) is to your advantage since it is possible to assemble the glass dome by 180° in reverse fashion.

Replacing the glass frame



Open the glass frame all the way using the hand crank to detach the opening rods from the lifting mechanism (à 4 screws). Only loosen the lateral fastening screw in the frame hinge on one side if there is enough room. Now push out the entire glass frame through the frame hinge from the side.

Attention!: Make sure that you do not damage (gouging, scratching, ruining) the roof when pushing out the glass frame.



If it is not possible to push the glass frame out from the side - then the hinge on the glass frame must be removed (Phillips screws). Make sure that you follow the exact reverse order of sequence when carrying out the steps to reinstall the glass dome.

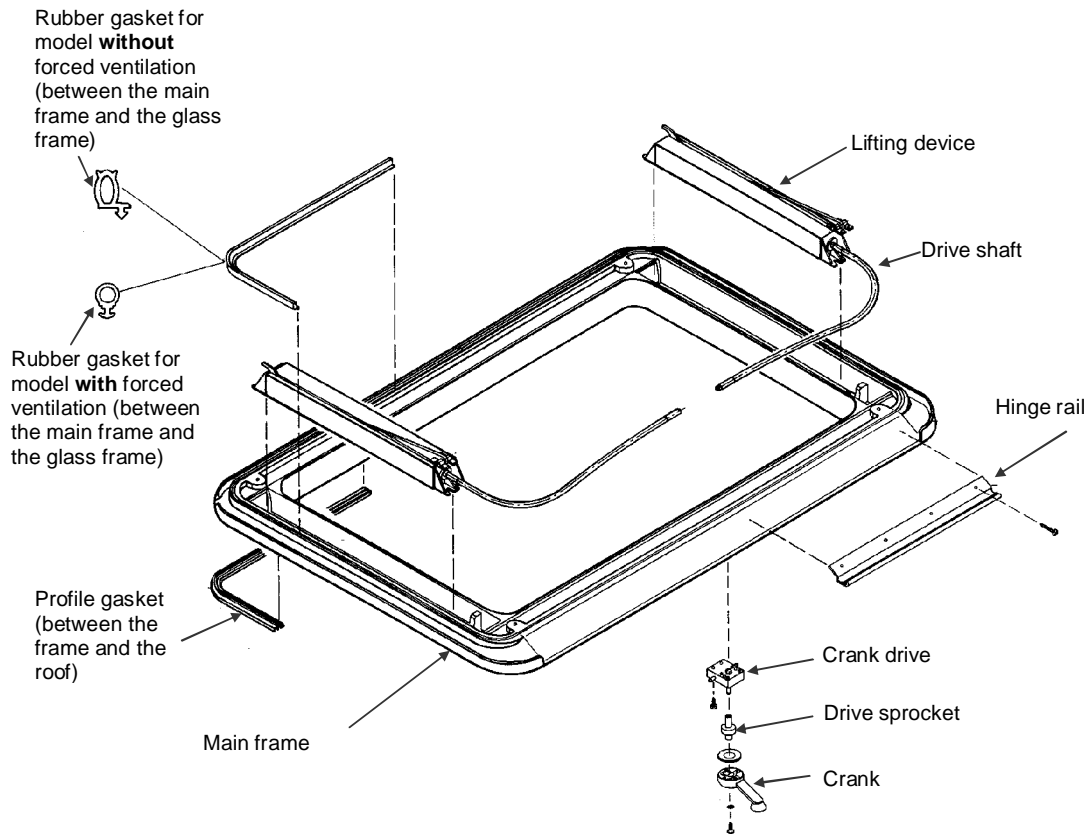
Replacing the gasket ring (glass frame)

Remove the window as described under Replacing the glass dome.



Take out the window. Take the profile gasket out of the groove. The profile gasket is glued on the corners (radii) and on the butts with super glue. A razor blade or a small screw driver must be used to remove adhesive or rubber residue from the groove. Insert a new gasket and glue it in place thereafter, reinstall the glass dome in the reverse order of sequence.

Main frame



PROBLEM:

Replacing the gasket ring
 Replacing the main frame
 Replacing the lifting device
 Replacing the crank drive
 Replacing the drive sprocket

Replacing the gasket ring (main frame)



Open the glass dome all the way with the crank. Take the profile gasket out of the groove. The profile gasket is glued on the corners (radii) and on the butts with super glue. A razor blade or a small screw driver must be use to remove adhesive or rubber residue

from the groove. Insert a new gasket and glue it in place thereafter, reinstall the glass dome in the reverse order of sequence.

Replacing the main frame

Remove the inside frame as described under Replacing the inside frame. Begin by trying to lift the complete upper part on one of the corners upward.

Attention!: The risk of rupturing the roof sheeting exists when the main frame is removed.

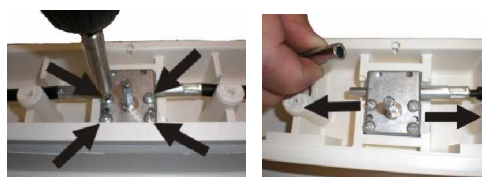
Remove any sealing residue from the surface of the roof and clean with a grease free agent. Apply a suitable sealing agent (e.g. butyl) onto the sealing surface of the main frame before installing it. Install the main frame in the reverse order of sequence.

Replacing the lifting device



Remove the inside frame as described under Replacing the inside frame. Loosen the 4 Phillips screws. Pull the drive shaft off the hexagonal bolt before removing the lifting device. Install the new part in the reverse order of sequence.

Replacing the crank drive



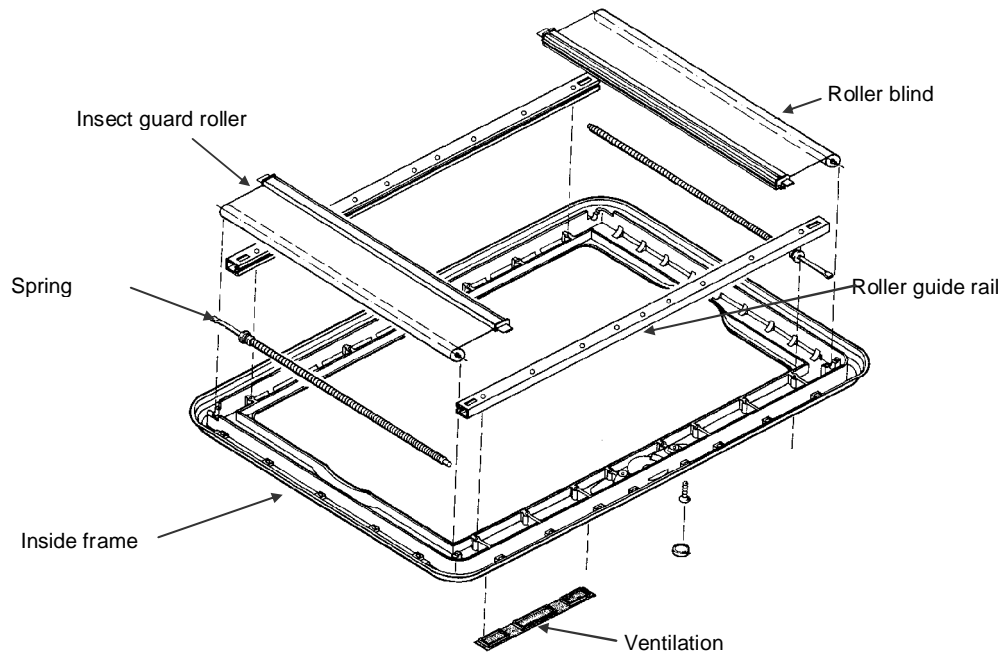
Remove the inside frame as described under Replacing the inside frame. Loosen the Phillips screws and pull the drive shaft off the hexagonal bolt. Remove the drive and install the new part in the reverse order of sequence.

Replacing the drive sprocket



Make sure that the crank remains in the closed position before removing the inside frame otherwise the ratio between the crank and the hexagonal drive bolt will no longer correspond. Remove the inside frame as described under Replacing the inside frame. Remove the crank with a Philips screw driver and install the new part in the reverse order of sequence.

Inside frame



PROBLEM:

Replacing the inside frame
Replacing the roller blind
Replacing the insect guard roller
Replacing the spring drive

Replacing the inside frame



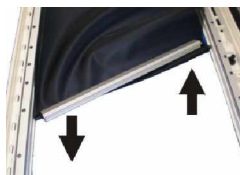
Remove the ventilation grille (be careful not to over-bend) and loosen the screws located underneath it. Remove the two cover lids next to the crank and also loosen the screws. Installation takes place in the reverse order of sequence.

Replacing the insect guard roller



Remove the inside frame as described under Replacing the inside frame. Remove the spring drive from its mounting with a long-nose pliers.

Attention!: The spring is under tension. Risk of injury!



Thereafter, the roller can be removed from the inside frame by tilting the locking rod. Make sure that the surface coating of the roller material (only applies to the roller blind) is not damaged when tilting the rod. The installation is carried out in the reverse order of sequence and in observation of the tensioning rule.

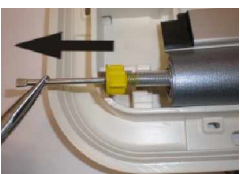
Tensioning rule: Tube length in mm/100 +3= revolutions of the spring drive shaft

Example: Tube length=1000mm $1000\text{mm}/100+3= 13$ this means: 13 clockwise revolutions

Replacing the roller blind

Replacement of the insect guard roller takes place in the same manner as described under Replacing the insect guard roller.

Replacing the spring drive



Remove the roller in the same manner as described under Replacing the roller blind and Replacing the insect guard roller. Pull the spring drive out of the roller shaft from the side. After inspection or replacement reinstall the spring drive in the reverse order of sequence.